

Model 8631-HM(-BAC)/8631-HC(-BAC) Pressura™ Room Pressure Monitor/Controller

Installation Instructions

WARNING: The Model 8631-HM Room Pressure Monitor or Model 8631-HC Room Pressure Controller must be wired to 24 VAC only. Wiring the unit to 110 VAC will cause serious damage to the unit and void the warranty.

The pressure sensor must be mounted through the wall between the controlled space (isolation room) and referenced space (ante room / hallway).

These installation instructions guide the installer through the installation of the TSI Model 8631-HM PRESSURA™ Room Pressure Monitor or the TSI Model 8631-HC Room Pressure Controller. The installation instructions cover all controller versions: electric actuator/damper, pneumatic actuator/damper and variable frequency drives (Motor). Unless specified otherwise, figures and instructions apply to all three versions. Please read these instructions thoroughly before beginning installation.



This product is classified by Underwriters Laboratories, Inc.® for use in through-penetration firestop systems. See UL fire resistance directory.

Figure 1: Typical Installation

COMPONENT LIST

Part Number	Qty	Description
800243	1	Pressure sensor
800248	1	Sensor cable
800646 / 863108	1	8631-HM / 8631-HM-BAC Room pressure monitor
800647 / 863109	1	or 8631-HC / 8631-HC-BAC Room Pressure controller
800420	1	Transformer
800414	1	Transformer cable
1901057	2	Intumescent ring
2923020	1	Fire sealant
Damper versions also have dampers sized to duct work and either an:		
800360	1	Electric actuator
800199	1	Controller output cable

™ PRESSURA is a trademark of TSI Incorporated.



PRESSURE SENSOR INSTALLATION

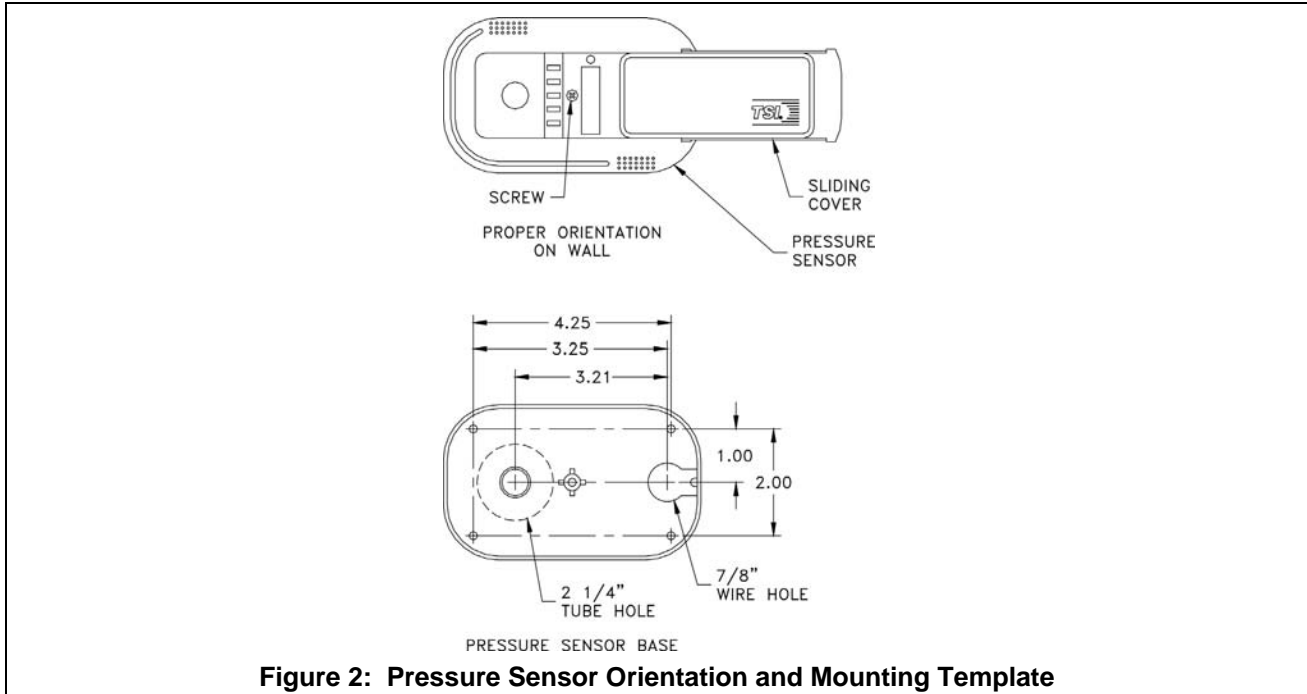


Figure 2: Pressure Sensor Orientation and Mounting Template

WARNING: 800243 pressure sensor must be mounted through the wall between the controlled space (isolation room) and referenced space (hallway), exactly as shown in Figure 2 and 3.

- Determine pressure sensor location (Figures 1, 2 and 3). Pressure sensor typically mounts in the reference space, and the dummy housing mounts in the isolation room.

NOTE: Pressure sensor is not symmetrical. If sensor is to be centered over hallway door, measure one inch to the left of center for 2 1/4" hole. Dummy sensor will be 2" off center on other side of wall.

- The pressure sensor must be orientated on the wall as shown in Figure 2. Looking at the mounted sensor, sensor hole is on the left (2 1/4") and wire hole is on the right.
- Drill a 2 1/4" hole through each side of the wall to accept the sensor tube.
- Drill a 7/8" hole on the side of the wall that the pressure sensor will be mounted. This hole is for the six-conductor sensor cable. Refer to Figure 2 for a hole mounting pattern.
- Slide sensor cover to right and remove screw that holds the sensor base to the pressure sensor (Figure 2). Remove pressure sensor and store in a safe place.

- From the side of the wall the sensor will be mounted, slide the sensor tube through the wall. Mark the tube where it is flush with wall. Remove sensor tube and cut tube 1/8 inch shorter than flush marking.

NOTE: If 12" sensor tube needs to be extended, use same size or larger diameter tube. Drill out 1/2" sensor hole in dummy case to match ID of tube extension.

- From the side of the wall the sensor will be mounted, slide the sensor tube through the wall. Slide the dummy base over the end of the tube. Screw the pressure sensor base and dummy base to the wall (Figure 3).
- Wire the pressure sensor per Figures 7, 8, or 9,. Run sensor cable to the room pressure controller 4" x 4" electrical rough-in box.
- Insert fire protection sealant (provided) into 7/8" wire hole to seal.
- Install and screw the pressure sensor and dummy cover onto the bases. Slide covers to the left to hide the sensor. Finished installation should look as shown in Figure 4.

WARNING: Do **not** touch the sensor element in the pressure sensor. Do **not** run wires through the air passage. Doing so will damage the sensing element.

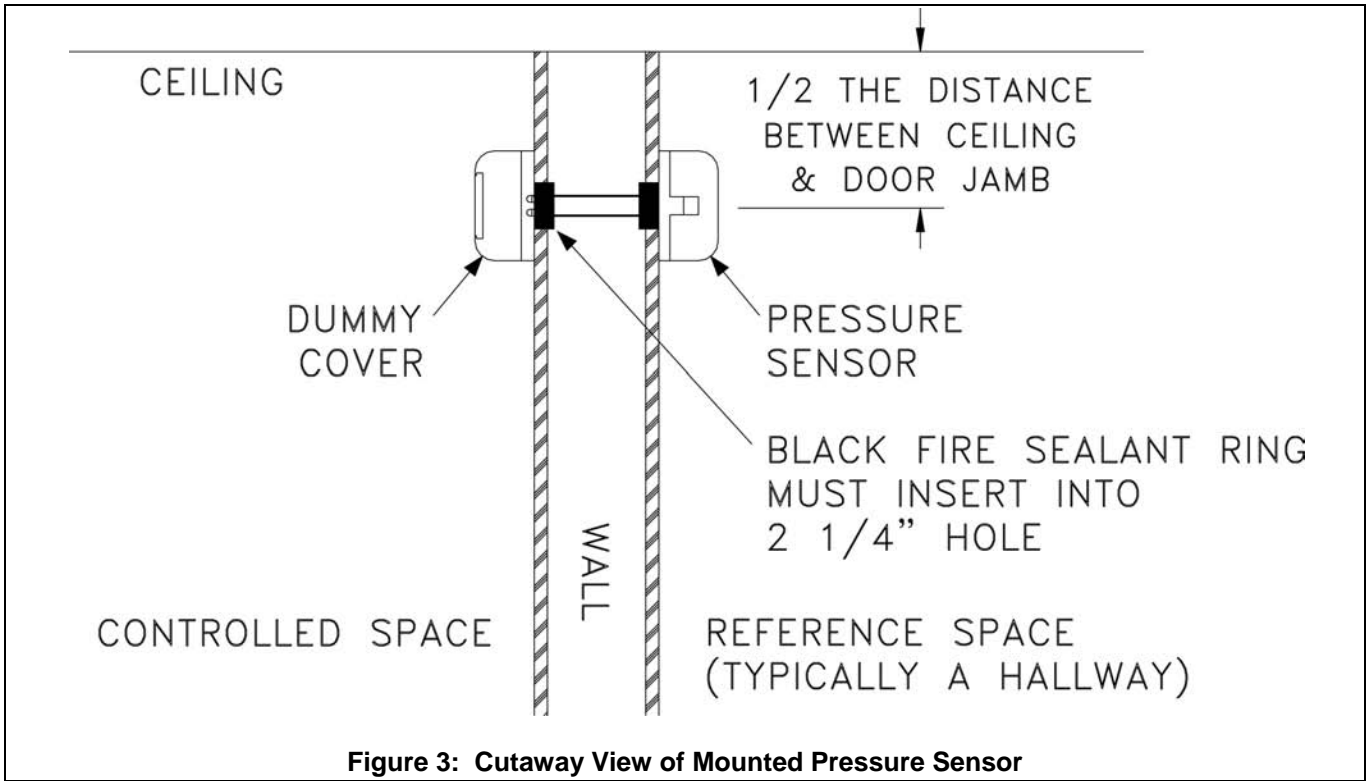


Figure 3: Cutaway View of Mounted Pressure Sensor

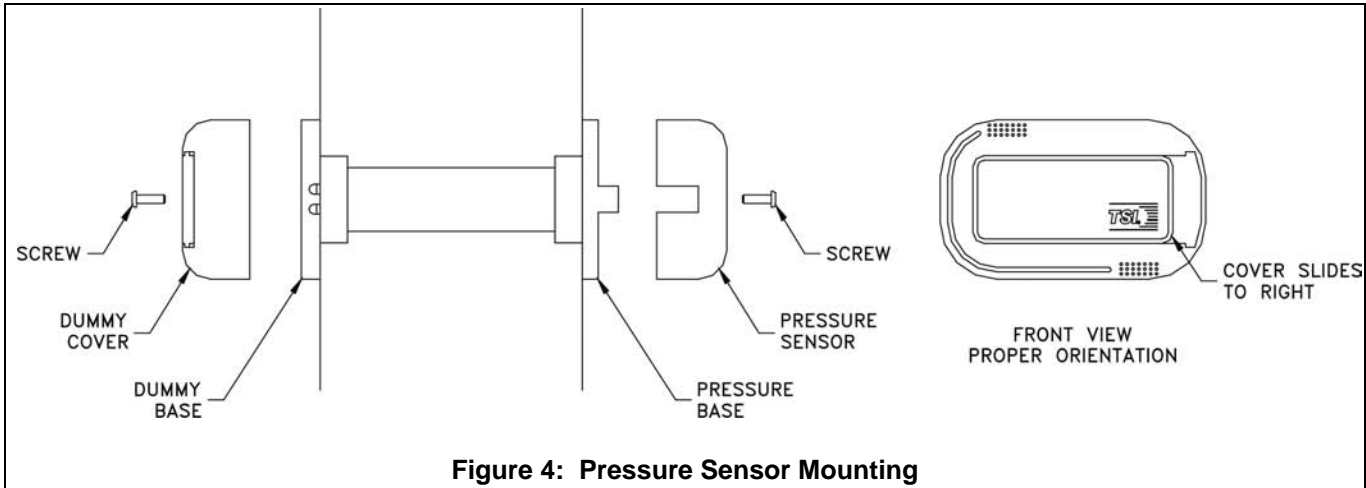
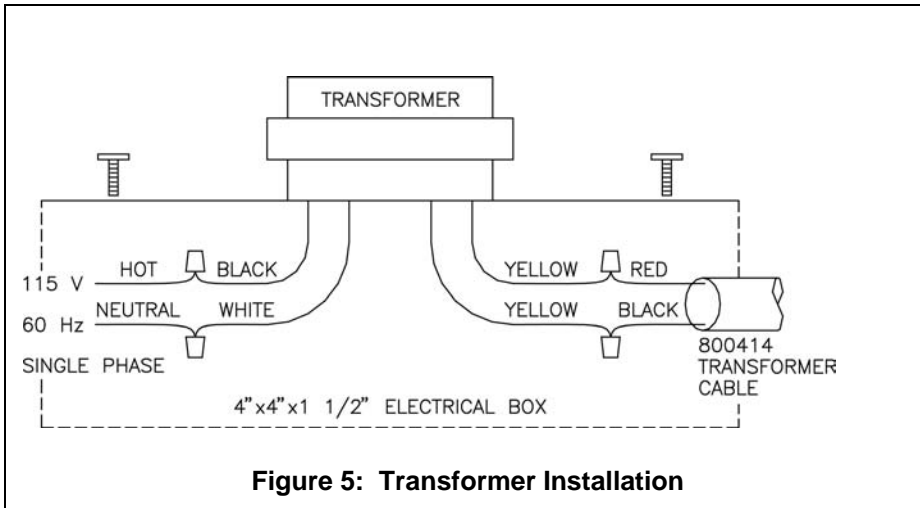


Figure 4: Pressure Sensor Mounting

TRANSFORMER INSTALLATION



WARNING

Make sure no power is applied until all wiring is complete.

Follow all applicable electrical codes, and have qualified personnel install the transformer.

NOTE

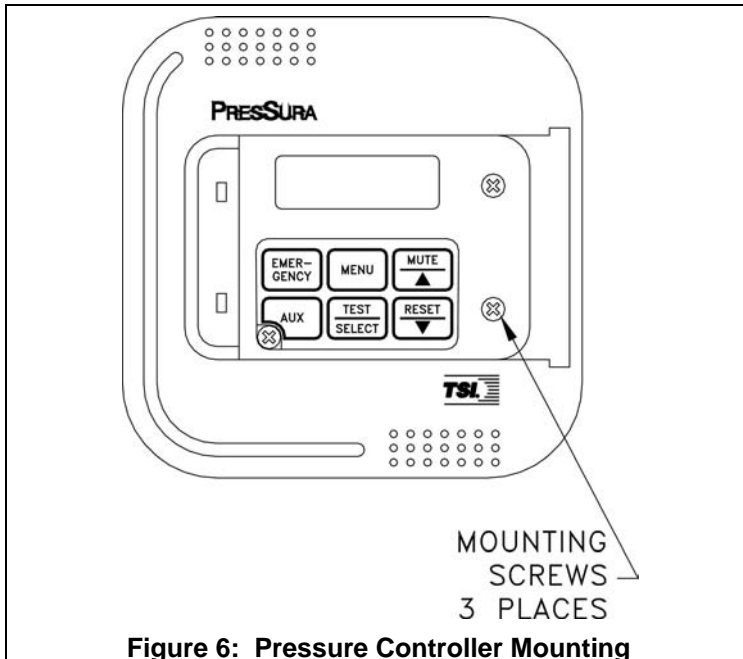
Each system must be installed with supplied transformer. If TSI transformer is discarded and a central transformer is installed, a separate isolation transformer must be installed in line between the TSI system and central transformer

- **Damper Version** - Mount a standard 4" × 4" × 1½" electrical box at a convenient location within 20 feet of the damper/actuator.
- **Motor Version** - Mount a standard 4" × 4" × 1½" electrical box at a convenient location within 20 feet of pressure controller.
- Run 115 Volt, single phase, 60 hertz line voltage (115 VAC) to electrical box. Follow all applicable electrical codes.
- Connect 115 VAC line voltage HOT wire to BLACK wire on transformer and NEUTRAL wire to WHITE wire on transformer (Figure 5).
- Connect the RED wire on 800414 transformer cable to either YELLOW wire on the transformer and the BLACK wire to the remaining YELLOW wire.
- Screw the transformer to the electrical box.
- **Damper Version** - Run transformer cable from the transformer electrical box to the damper/actuator box. Have at least 8 inches of cable coming out of the damper/actuator box before trimming cable to length.
- **Motor Version** - Run transformer cable from the transformer electrical box to the pressure controller. Have at least 8 inches of cable coming out of the pressure controller rough in electrical box before trimming cable to length.

PRESSURE CONTROLLER INSTALLATION

Pressure Controller Rough-in

- Select the mounting location of the pressure controller. The construction plans normally show the mounting location. If no location is specified, then the unit is typically installed as shown in Figure 1. Alternate mounting locations are nurses' station, other staff areas, etc.
- Install a standard double gang electrical box (4" × 4").
- Slide the pressure controller cover to the right and remove three screws holding the electronics to the base (Figure 6). Remove base.
- Install the base to the 4" × 4" electrical box. The base's "THIS SIDE UP" arrow must be pointing towards the ceiling.



NOTE: Two screws are hidden behind the cover when full open. The cover will slide to the right approximately 2 inches until a stop is hit. Pull cover to completely remove from electronics and expose the screws.

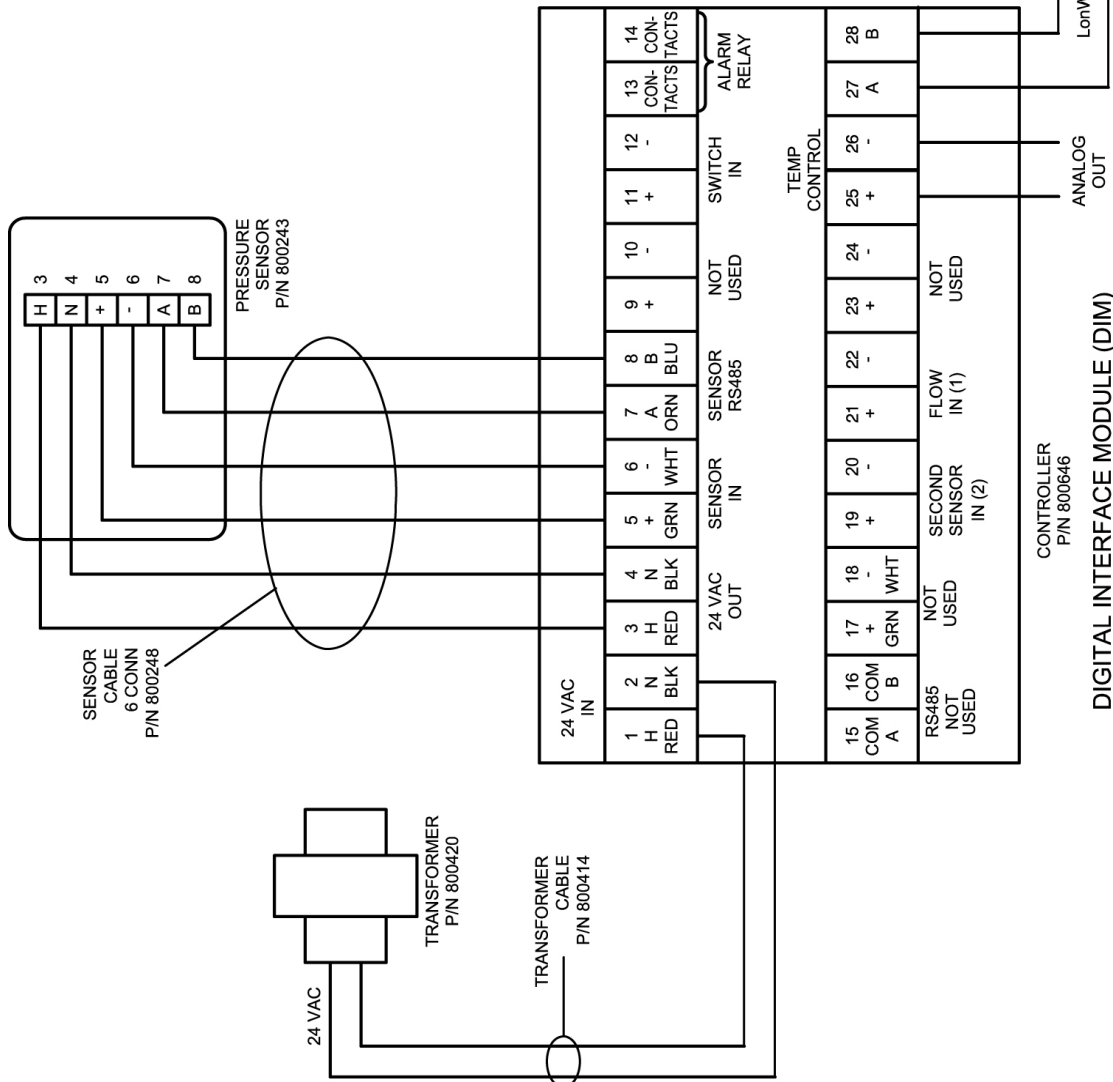
Figure 6: Pressure Controller Mounting

Pressure Controller Wiring

WARNING: Do **not** connect more than 24 VAC to any terminal.

Do **not** apply voltage to the RS-485 output, BACnet output, analog output, or control output. Severe damage may occur to the unit if voltage is applied.

- Remove the connectors from the back of the pressure controller.
- Refer to the wiring diagrams, Monitor Version (Figures 7, 8, and 9) or Damper Versions (Figures 10 and 11) for proper wiring installation.
- If additional options need to be wired, refer to building prints for proper wiring diagram.
- Plug the connectors back into the pressure controller.
- Carefully push the wires into the electrical box and mount the pressure controller. Install three screws to hold pressure controller firmly to base. Install cover and slide left to hide display.



WARNING: Monitor must be wired exactly as wire diagram shows. Making modifications to the wiring may severely damage the unit.

Figure 7: Wiring Diagram - Monitor Version

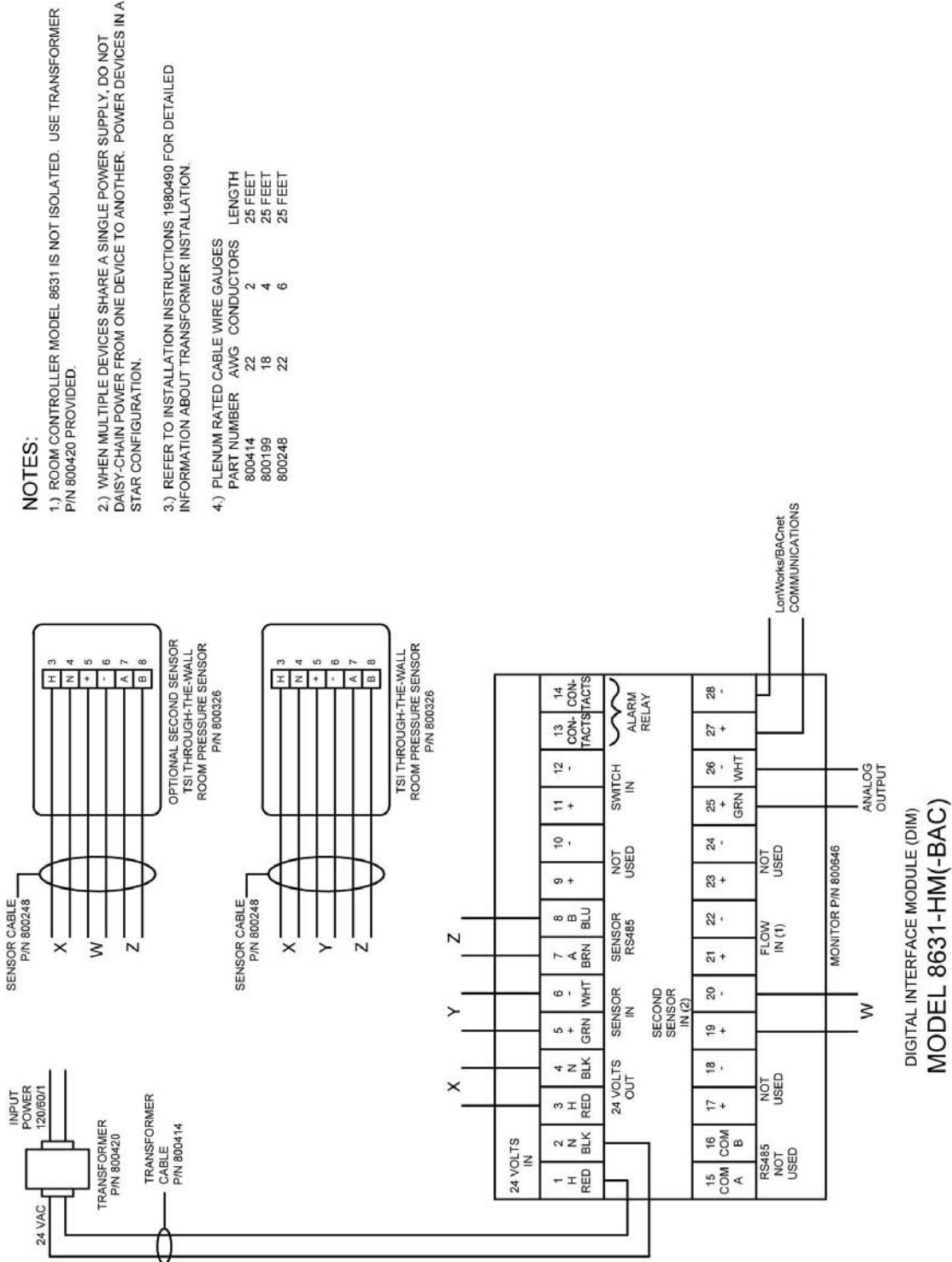
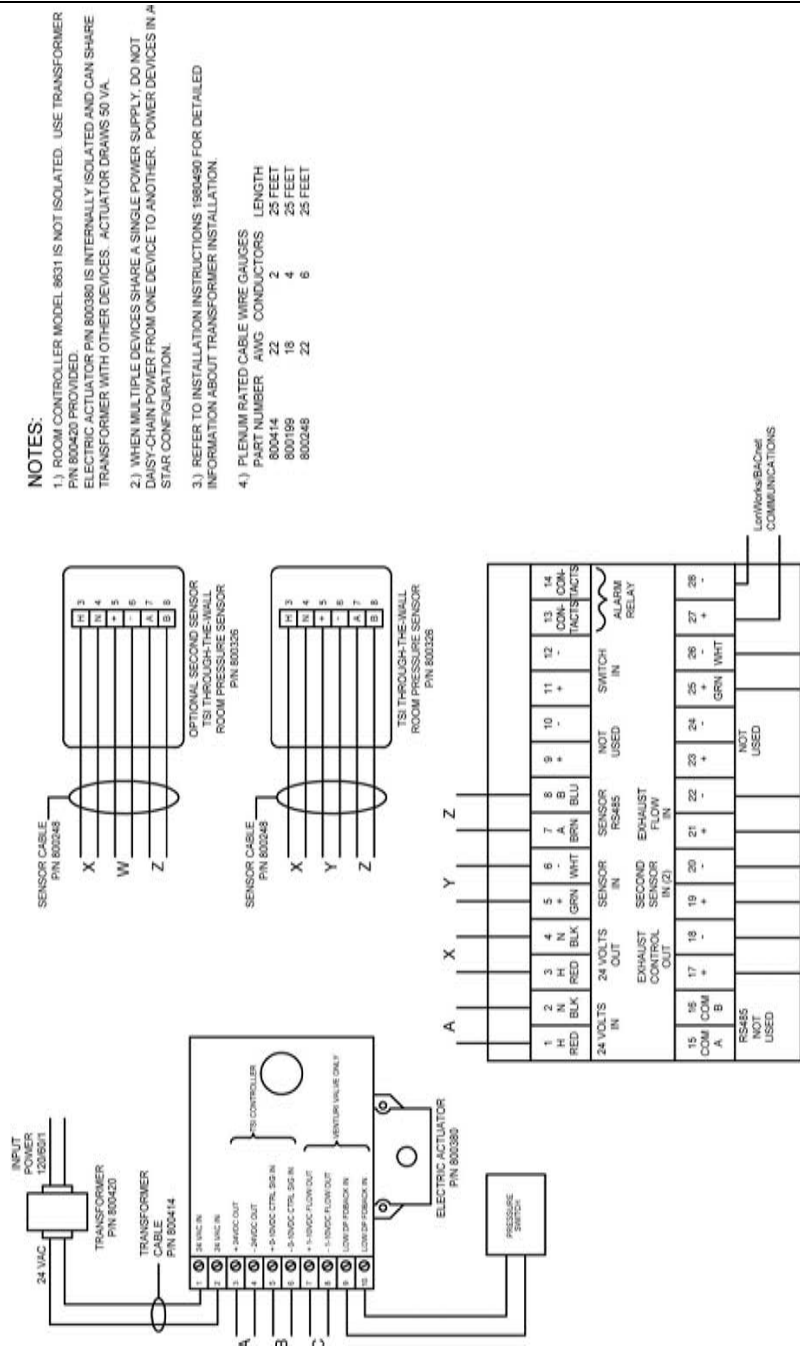


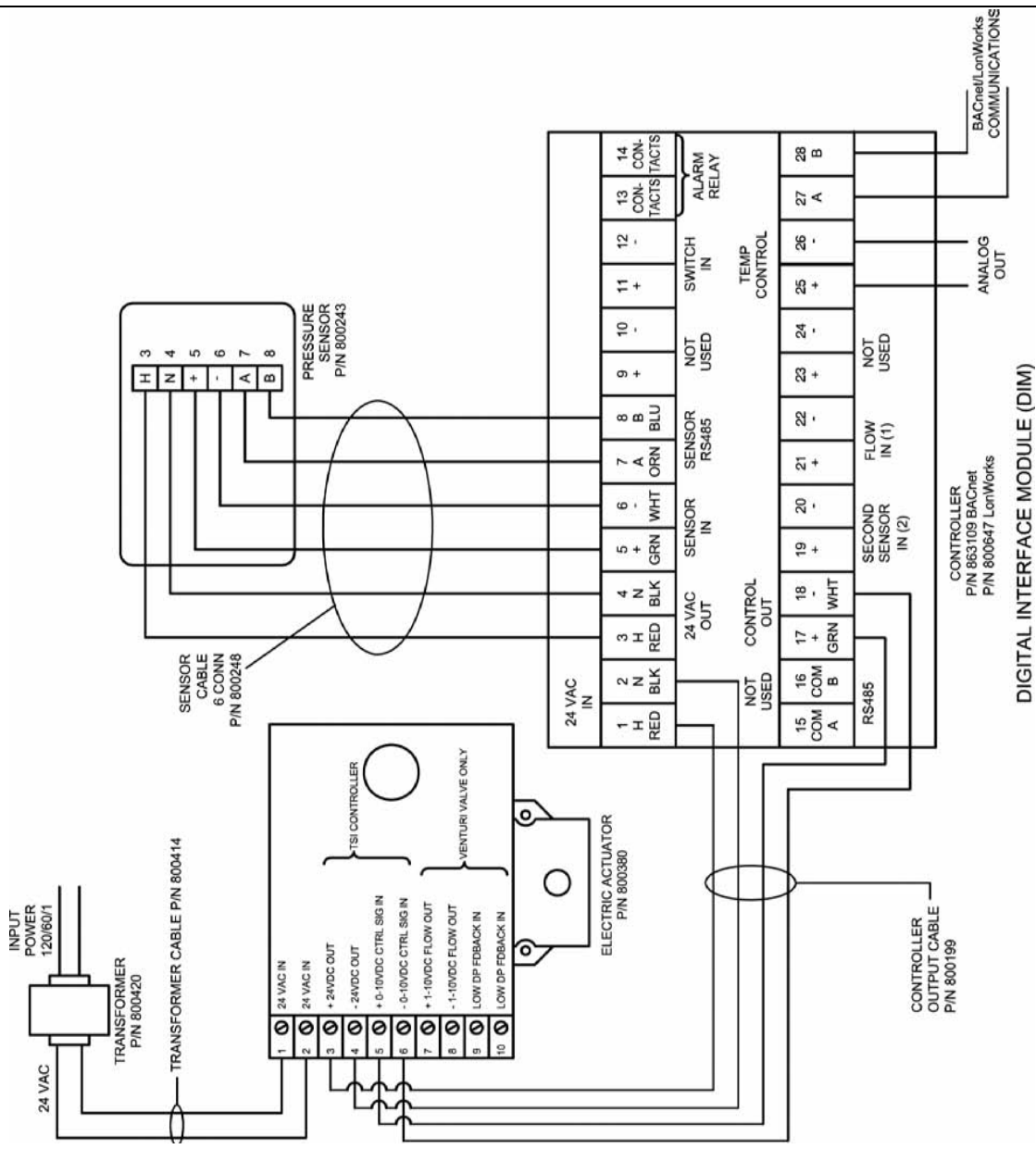
Figure 8: Wiring Diagram – Monitor Optional Second Sensor



- NOTES:**
- ROOM CONTROLLER MODEL 8631 IS NOT ISOLATED. USE TRANSFORMER PIN 800420 PROVIDED.
 - ELECTRIC ACTUATOR PIN 800380 IS INTERNALLY ISOLATED AND CAN SHARE TRANSFORMER WITH OTHER DEVICES. ACTUATOR DRAWS 50 VA.
 - WHEN MULTIPLE DEVICES SHARE A SINGLE POWER SUPPLY, DO NOT DAISY-CHAIN POWER FROM ONE DEVICE TO ANOTHER. POWER DEVICES IN A STAR CONFIGURATION.
 - REFER TO INSTALLATION INSTRUCTIONS 1990460 FOR DETAILED INFORMATION ABOUT TRANSFORMER INSTALLATION.
 - PLENUM RATED CABLE WIRE GAUGES
- | PLenum RATED CABLE WIRE GAUGES | LENGTH |
|--------------------------------|------------|
| PAGE NUMBER | CONDUCTORS |
| 800414 | 2 |
| 800168 | 18 |
| 800248 | 22 |
| | 4 |
| | 6 |
| | 25 FEET |
| | 25 FEET |
| | 25 FEET |

DIGITAL INTERFACE MODULE (DIMM)
MODEL 8631-HC(-BAC)

Figure 10: Wiring Diagram – Controller Optional Second Sensor



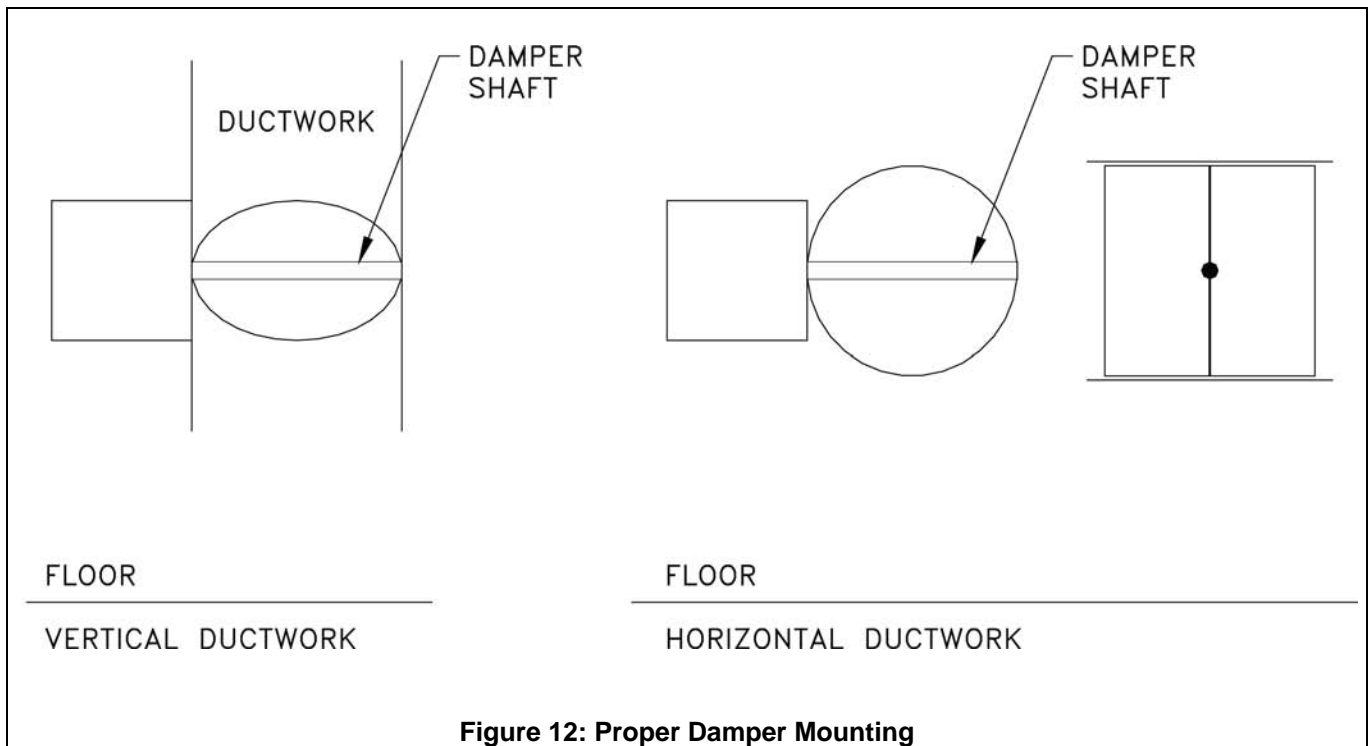
WARNING: Controller must be wired exactly as wire diagram shows. Making modifications to the wiring may severely damage the unit.

Figure 11: Wiring Diagram - Damper with Electric Actuator Version

TSI ACTUATOR/DAMPER INSTALLATION

WARNING: Building prints normally determine damper location and mounting configuration. They supersede the guidelines below.

- The actuators are shipped mounted to the damper. No adjustments are needed prior to mounting the assembly.
- The damper must be installed with the damper shaft parallel to the ground (Figure 12).
- Slip-fit dampers mount INSIDE the duct work. Flanged dampers bolt to the duct work. No ductwork can be inside of dampers, or interfere with damper rotation.
- Screw slip-fit damper to duct work using 1-inch or shorter screws. Make sure screws do not interfere with damper blade rotation. Bolt flanged dampers securely to ductwork, but do not “force” damper to fit (deforms damper).



NOTE: If you need assistance installing the system, call TSI Customer Service at (800) 874-2811.

TSI Incorporated – 500 Cardigan Road, Shoreview, MN 55126 U.S.A

USA	Tel: +1 800 874 2811	E-mail: answers@tsi.com	Website: www.tsi.com
UK	Tel: +44 149 4 459200	E-mail: tsiuk@tsi.com	Website: www.tsiinc.co.uk
France	Tel: +33 491 11 87 64	E-mail: tsifrance@tsi.com	Website: www.tsiinc.fr
Germany	Tel: +49 241 523030	E-mail: tsigmbh@tsi.com	Website: www.tsiinc.de
India	Tel: +91 80 41132470	E-mail: tsi-india@tsi.com	
China	Tel: +86 10 8251 6588	E-mail: sibeijing@tsi.com	
Singapore	Tel: +65 6595 6388	E-mail: tsi-singapore@tsi.com	



TRUST. SCIENCE. INNOVATION.

Contact your local TSI Distributor or visit our website www.tsi.com for more detailed specifications.