

Model 8692 to Model 8630 Remote Audible Alarm Installation Instructions

The purpose of these instructions is to guide the installer through the installation of the TSI Model 8692 Remote Audible alarm. These instructions cover the PRESSURA™ line (Model 8630) of products.

The remote audible alarm must be wired per Figure 1, 2 or 3. Wire should be 24 AWG or larger (not supplied by TSI). Any modification to the wiring may damage the alarm or Digital Interface Module.

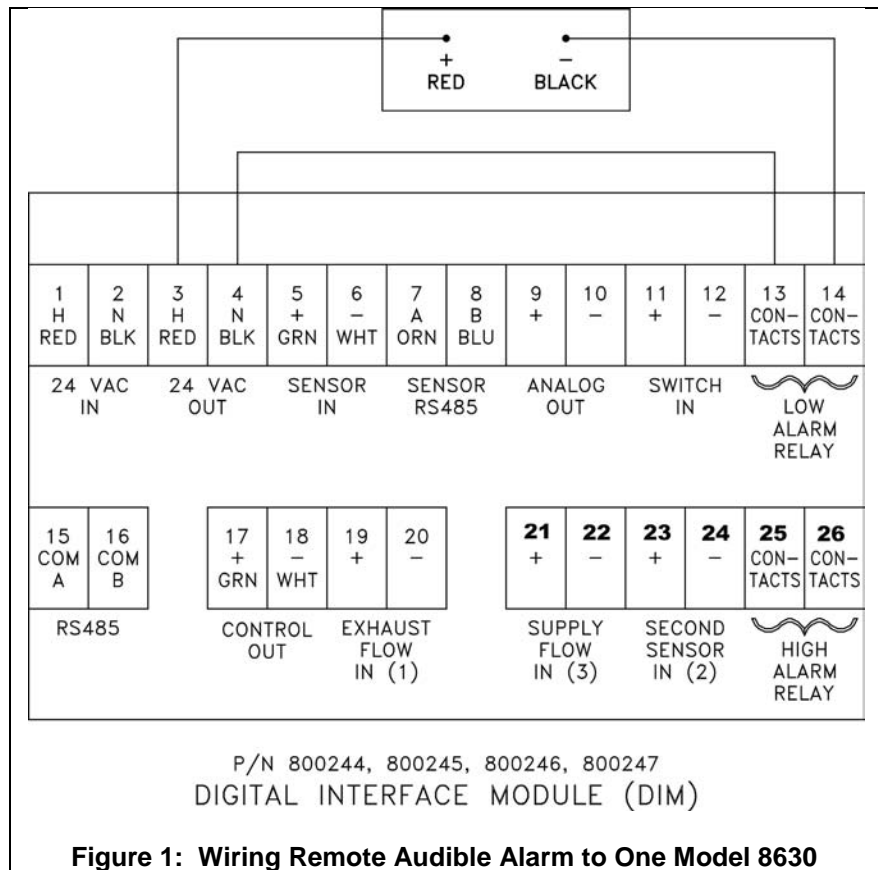
Installation

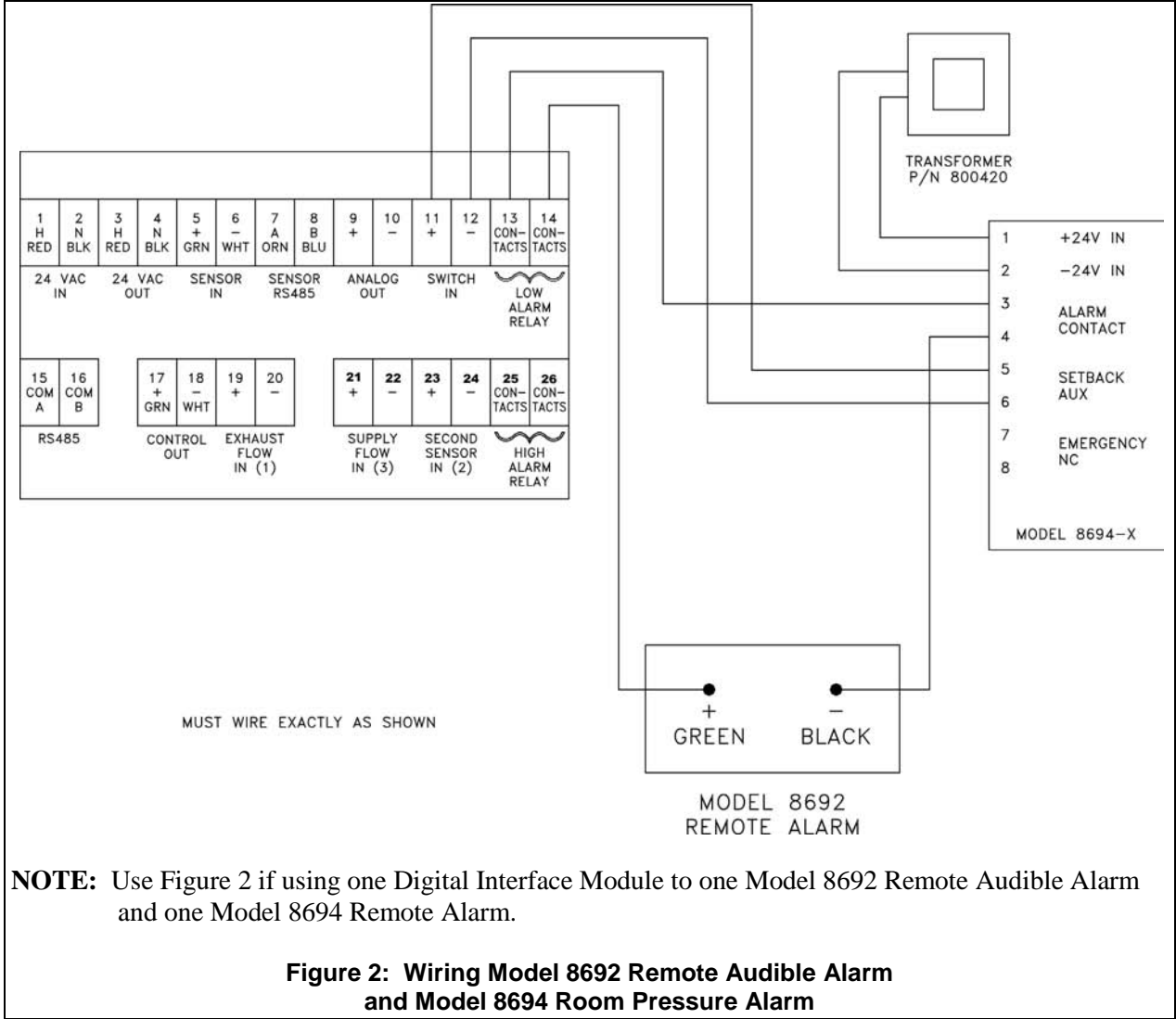
The remote audible alarm is designed to mount to a 2 × 4 single gang electrical box. Install the electrical box where the remote audible alarm is to be located.

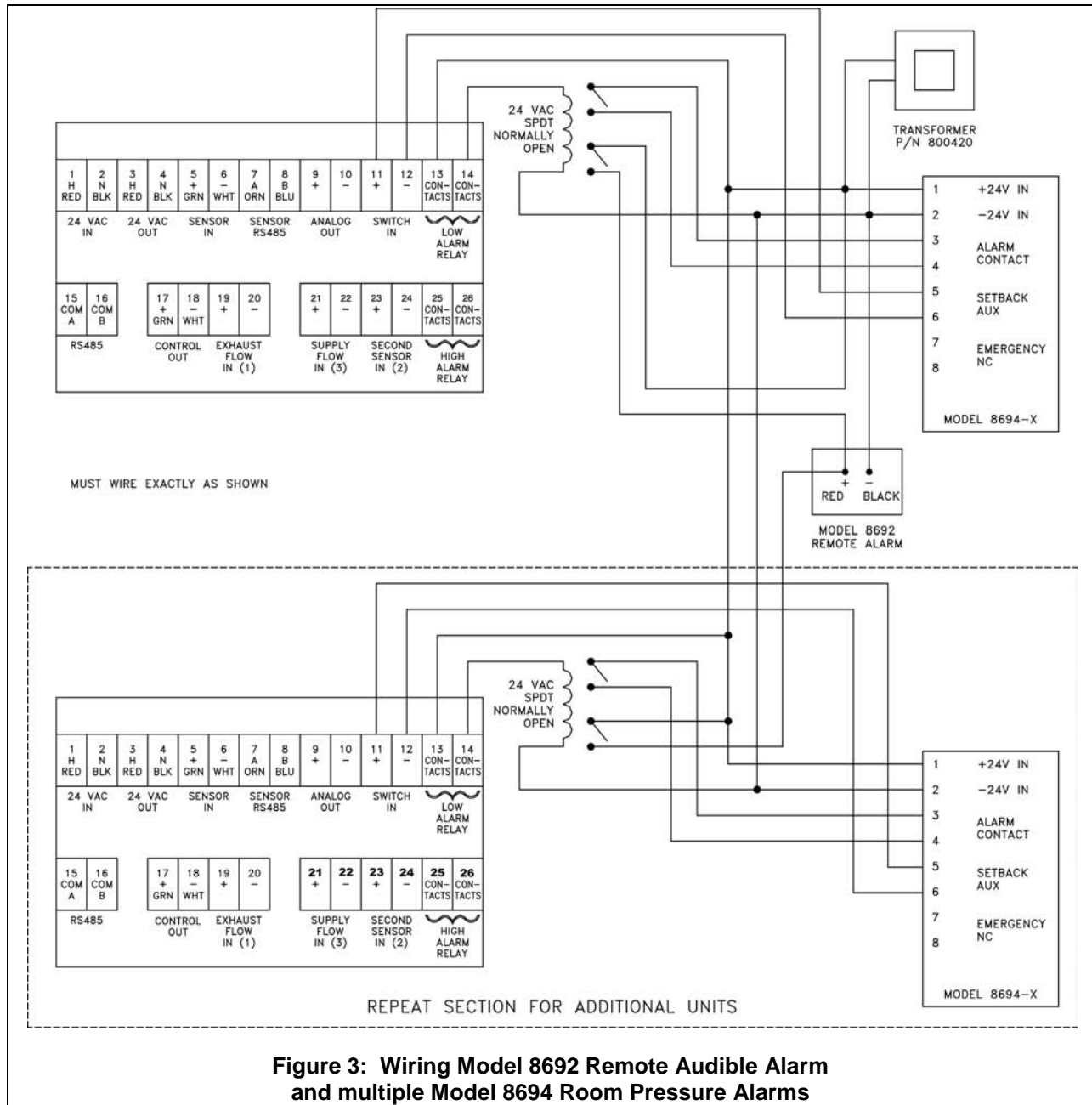
Use Figure 1, wiring diagram, when installing just a Model 8692 Remote Audible Alarm to a Digital Interface Module.

Use Figure 2, wiring diagram, when installing both a Model 8692 Remote audible alarm and Model 8694 Room Pressure Alarm to a Digital Interface Module.

Use Figure 3, wiring diagram, when installing multiple Model 8694 Room Pressure Alarms and one Model 8692 Remote Audible Alarm.







TSI Incorporated – 500 Cardigan Road, Shoreview, MN 55126 U.S.A

USA Tel: +1 800 874 2811
 UK Tel: +44 149 4 459200
 France Tel: +33 491 11 87 64
 Germany Tel: +49 241 523030
 India Tel: +91 80 41132470
 China Tel: +86 10 8251 6588
 Singapore Tel: +65 6595 6388

E-mail: answers@tsi.com
 E-mail: tsiuk@tsi.com
 E-mail: tsifrance@tsi.com
 E-mail: tsigmbh@tsi.com
 E-mail: tsi-india@tsi.com
 E-mail: tsibeijing@tsi.com
 E-mail: tsi-singapore@tsi.com

Website: www.tsi.com
 Website: www.tsiinc.co.uk
 Website: www.tsiinc.fr
 Website: www.tsiinc.de



TRUST. SCIENCE. INNOVATION.

Contact your local TSI Distributor or visit our website www.tsi.com for more detailed specifications.